

2JM0701GF (Alpha Micro Part No. AMC2JM0701GF)

Type GNSS Ceramic Active Patch Antenna

Features

- GPS/GLONASS/QZSS/Galileo
 - 1575 - 1606MHz
- High gain
- Pre-filter
- Low noise figure
- Low power consumption
- Ground plane independent
- Dimensions – 25 x 25 x 7.6
- Customizable cable and connector



Certifications:



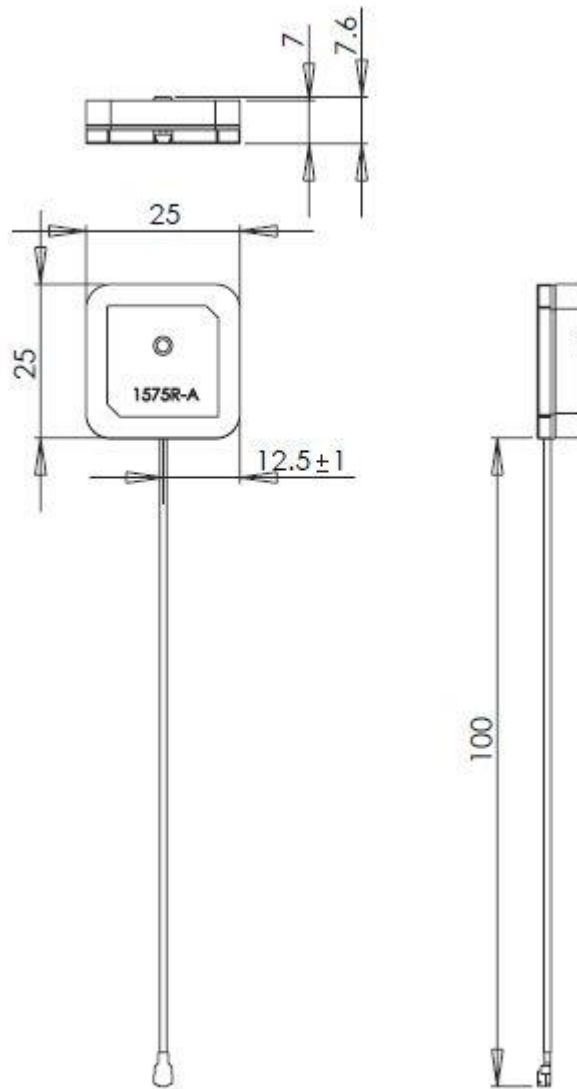
Alpha Micro USA: Tel: +1 561 744 9986 | email: usasales@alphamicro.net
www.alphamicro.net

1. Antenna and Electrical Specifications

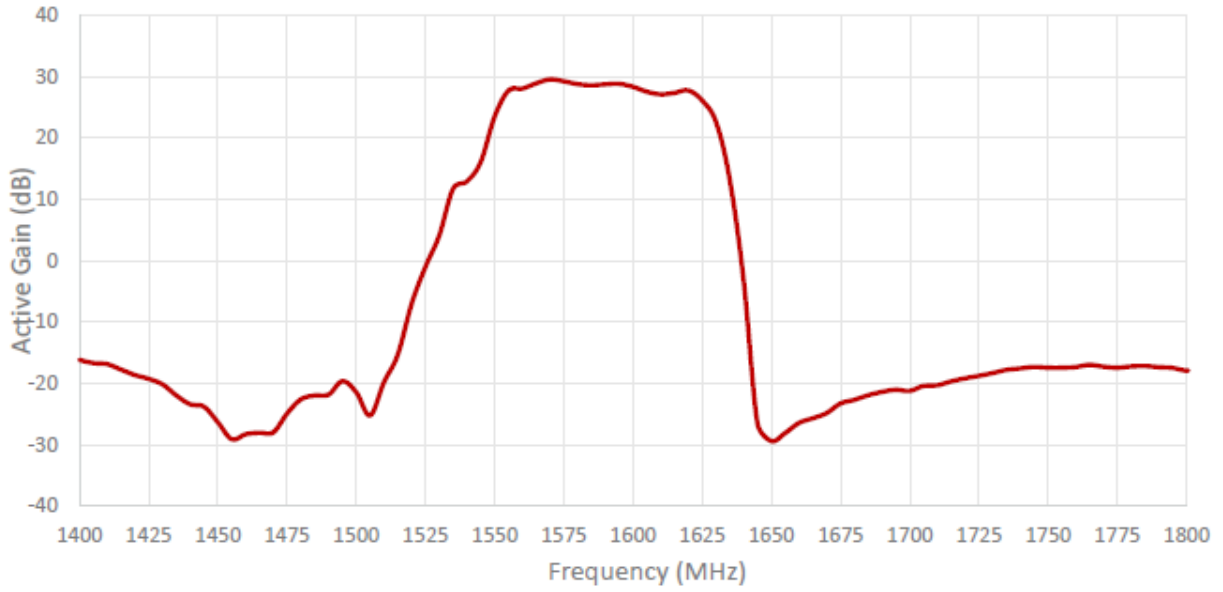
Parameters	GNSS ceramic active patch antenna	
Standards	GPS/QZSS/Galileo	GLONASS
Band (MHz)	1575	1602
Frequency (MHz)	1575.42	1598 - 1606
Passive Gain (dBi)	~3.6	
Impedance (Ohms)	50	
Radiation Pattern	Hemispherical	
Voltage Range (V)	1.5 – 3.6	
Active Gain (dB)	28 @ 2.7V	
Noise Figure (dB)	1.8 @ 2.7V	
Current Consumption (mA)	9 @ 2.7V	
Power Consumption (mW)	24.3 @ 2.7V	
Saw Filter Type	Pre-filter	
Out of Band Rejection (dB)	~43	
ESD Protection (kV)	6	
Connector Type	U.FL standard (other connectors available)	
Cable Length	100mm standard (other lengths available)	
Cable Type	1.37mm mini coax standard (other cables available)	

2. Mechanical and Environmental Specifications

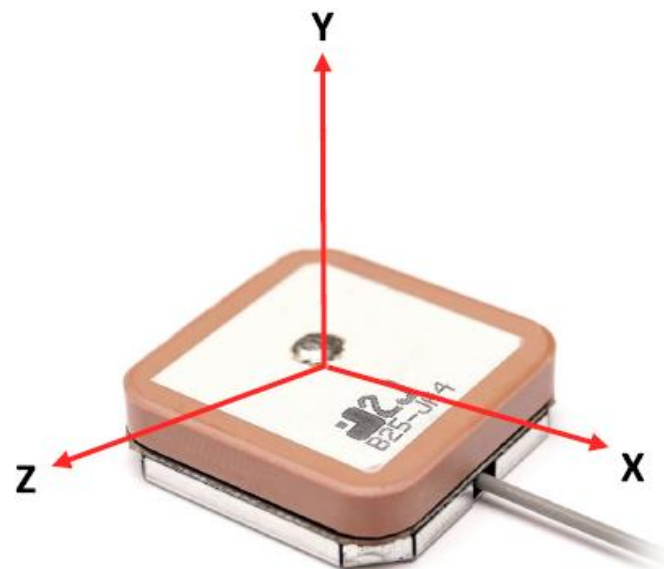
Dimensions (mm)	25 x 25 x 7.6
Operating Temperature (°C)	-40 to +85
Storage Temperature (°C)	-40 to +85
Substance Compliance	RoHS



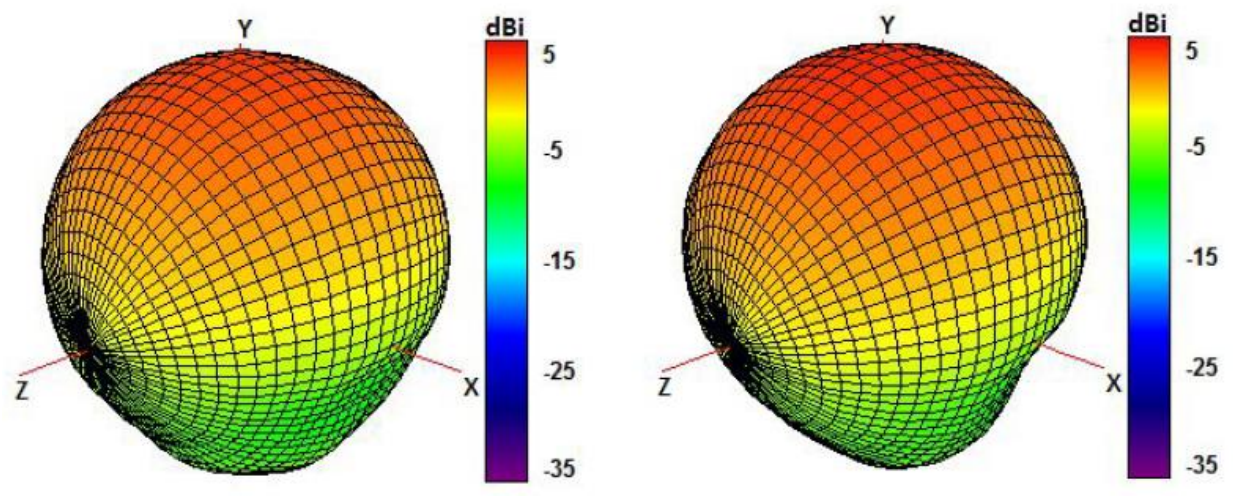
3. Antenna Parameters



* Measured at 2.7 V



Radiation pattern reference



1575 and 1602 MHz Radiation pattern