

2JM0601GF (Alpha Micro Part No. AMC2JM0601GF)

GPS/GLONASS/QZSS/Galileo active patch antenna

Features

- 1575 – 1606MHz
- Pre-filter
- 14dB gain
- Low noise figure
- Low power consumption
- Ground plane independent
- Dimensions – 25 x 25 x 7.6mm
- Customisable cable length and connector



Certifications:



Alpha Micro USA: Tel: +1 561 744 9986 | email: usasales@alphamicro.net
www.alphamicro.net



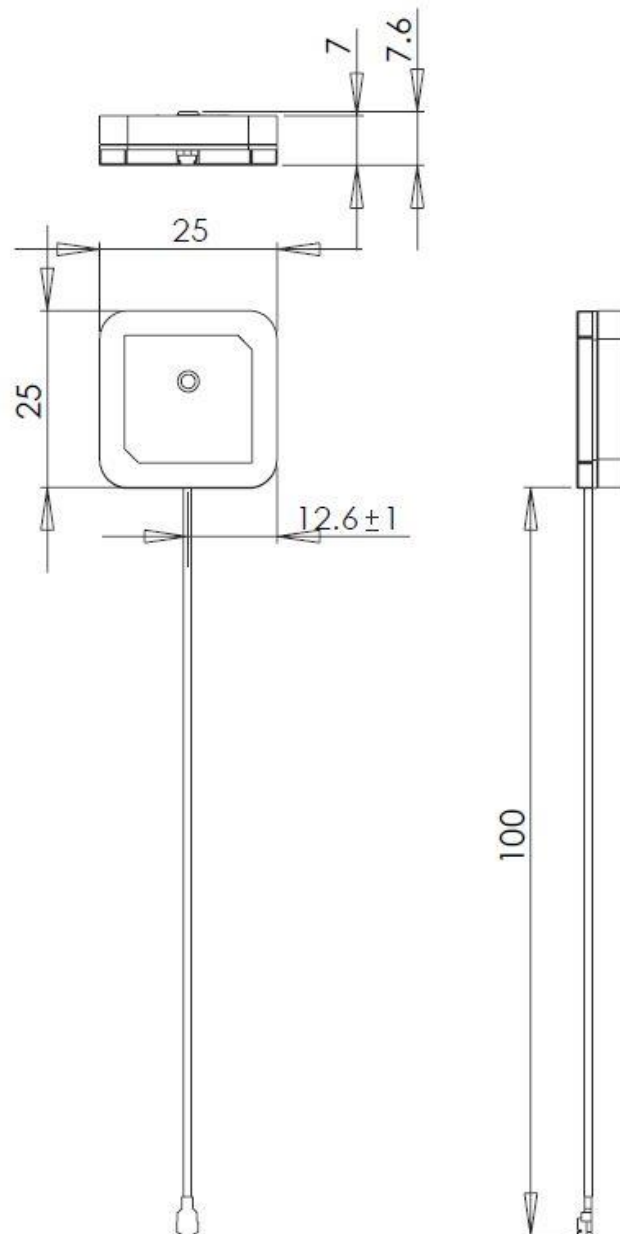
1. Antenna and Electrical Specifications

Parameters	GNSS ceramic active patch antenna	
Standards	GPS/QZSS/Galileo	GLONASS
Band (MHz)	1575	1602
Frequency (MHz)	1575.42	1598 - 1606
Passive gain (dBi)	~3.6	
Impedance (Ohms)	50	
Radiation pattern	Hemispherical	
Voltage range (V)	1.5 – 3.6	
Active gain (dB)	14 @ 2.7V	
Noise figure (dB)	1.5 @ 2.7V	
Current consumption (mA)	4 @ 2.7V	
Power consumption (mW)	10.8 @ 2.7V	
SAW filter type	Pre-filter	
Out of band rejection (dBc)	43	
ESD protection (kV)	6	
Connector type	U.FL standard (other connectors optional)	
Cable length	100mm standard (other cable lengths optional)	
Cable type	1.37mm mini-coax standard (other cable types optional)	

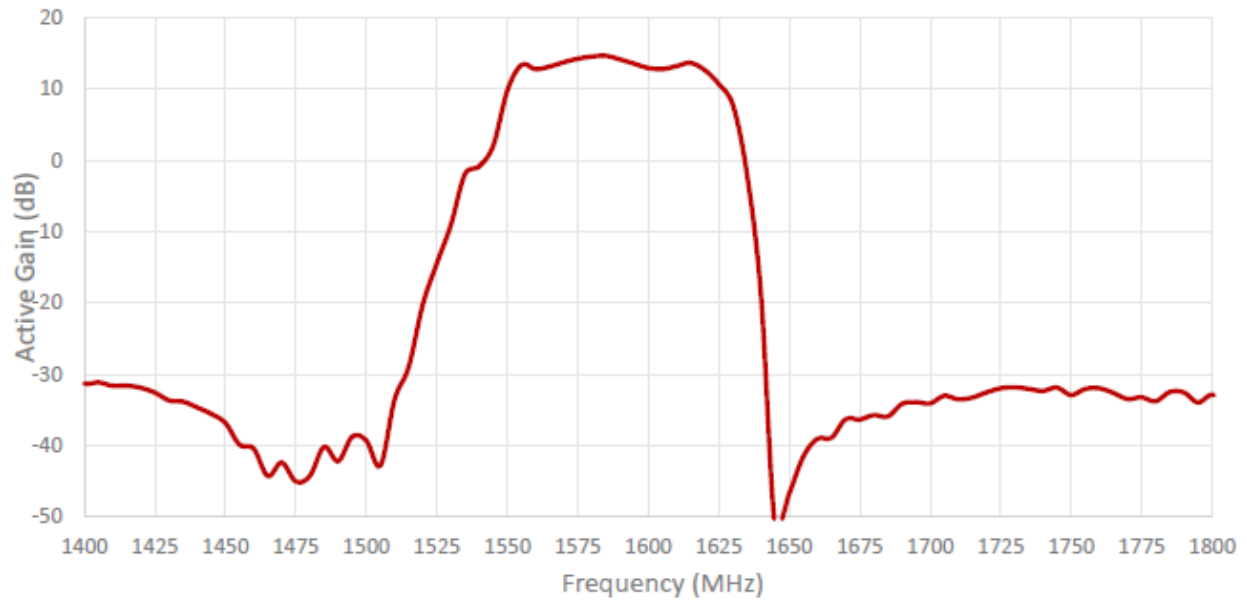
AMC2JM0601GF

2. Mechanical and Environmental Specifications

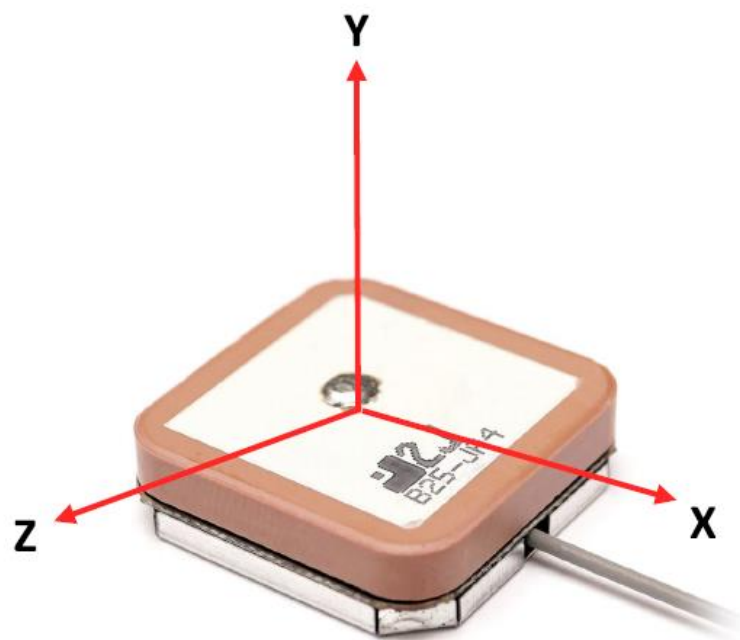
Dimensions (mm)	25 x 25 x 7.6
Operating temperature (°C)	-40 to +85
Storage temperature (°C)	-40 to +85
Substance compliance	RoHS



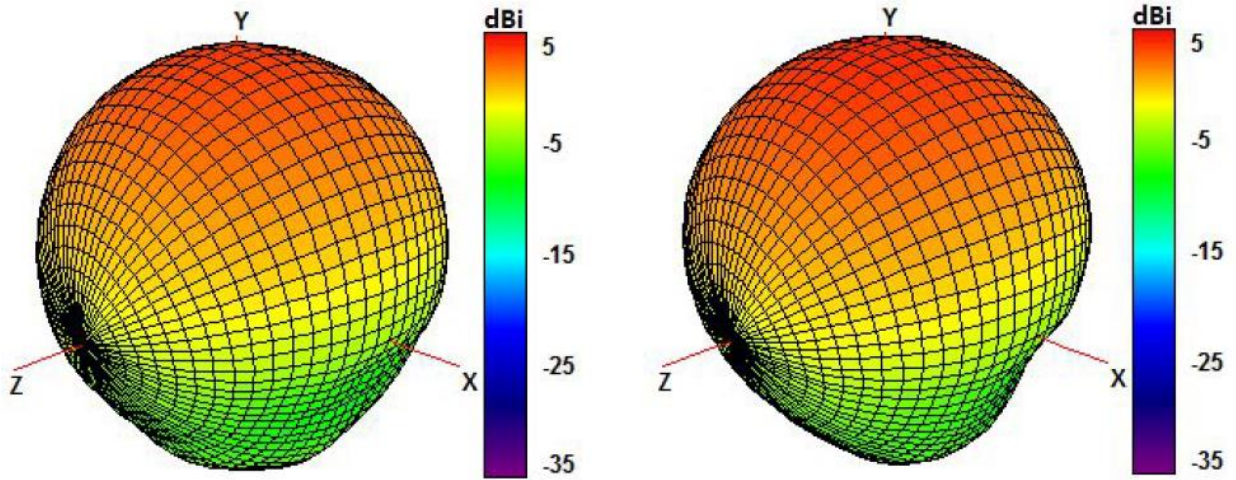
3. Antenna Parameters



* Measured at 2.7 V



Radiation pattern reference



1575 and 1602 MHz Radiation pattern