

2JM0601F

(Alpha Micro Part No. AMC2JM0601F)

GPS/QZSS/Galileo active patch antenna

Features

- 1575MHz
- Pre-filter
- 14dB gain
- Low noise figure
- Low power consumption
- Ground plane independent
- Dimensions – 25 x 25 x 7.6mm
- Customizable cable length and connector



Certifications:



Alpha Micro USA: Tel: +1 561 744 9986 | email: usasales@alphamicro.net
www.alphamicro.net

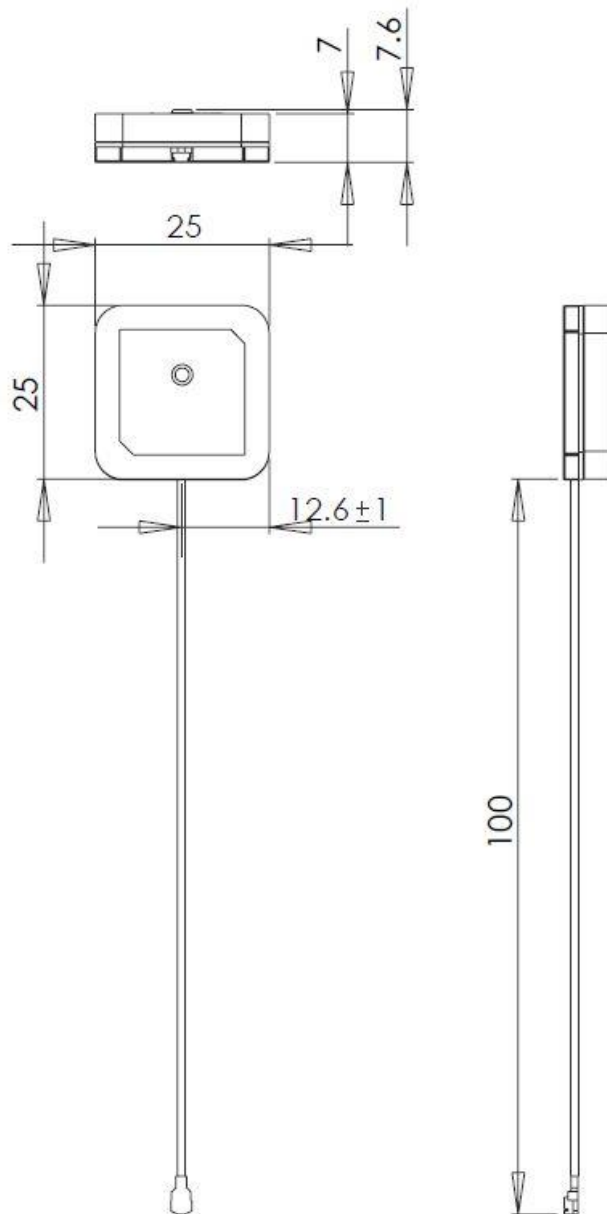


1. Antenna and Electrical Specifications

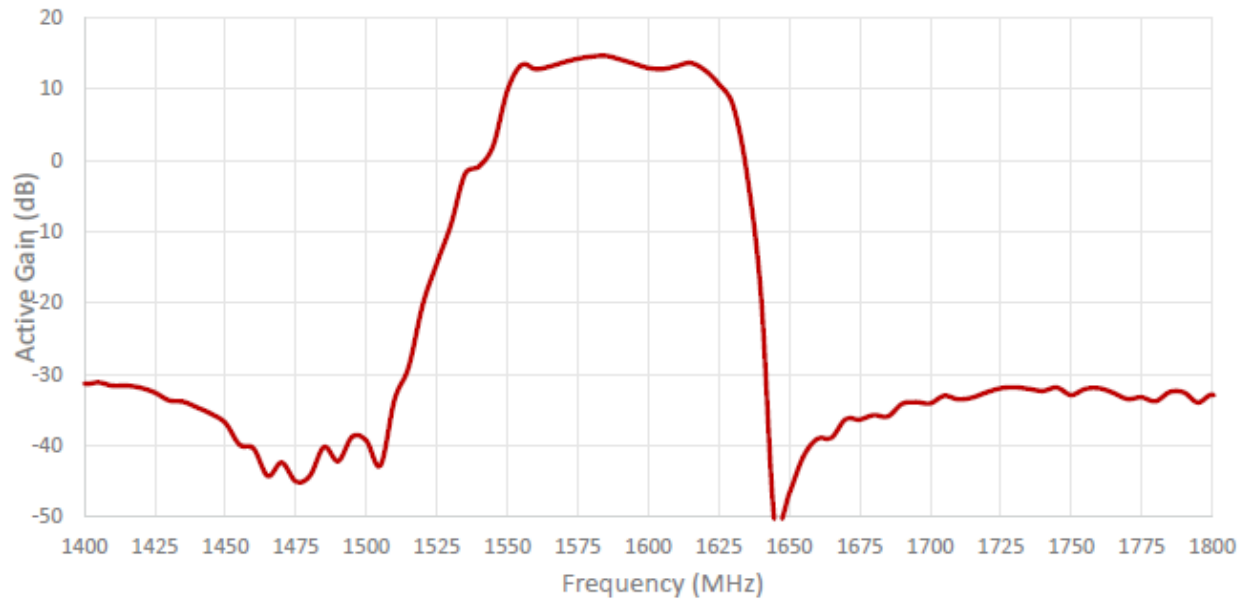
Parameters	GNSS ceramic active patch antenna
Standards	GPS/QZSS/Galileo
Band (MHz)	1575
Frequency (MHz)	1575.42
Passive gain (dBi)	~3.6
Impedance (Ohms)	50
Radiation pattern	Hemispherical
Voltage range (V)	1.5 – 3.6
Active gain (dB)	14 @ 2.7V
Noise figure (dB)	1.5 @ 2.7V
Current consumption (mA)	4 @ 2.7V
Power consumption (mW)	10.8 @ 2.7V
SAW filter type	Pre-filter
Out of band rejection (dBc)	43
ESD protection (kV)	6
Connector type	U.FL standard (other connectors optional)
Cable length	100mm standard (other cable lengths optional)
Cable type	1.37mm mini-coax standard (other cable types optional)

2. Mechanical and Environmental Specifications

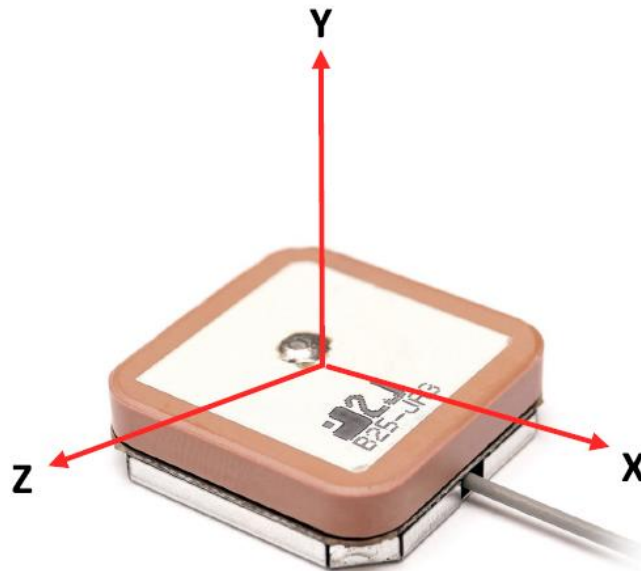
Dimensions (mm)	25 x 25 x 7.6
Operating temperature (°C)	-40 to +85
Storage temperature (°C)	-40 to +85
Substance compliance	RoHS



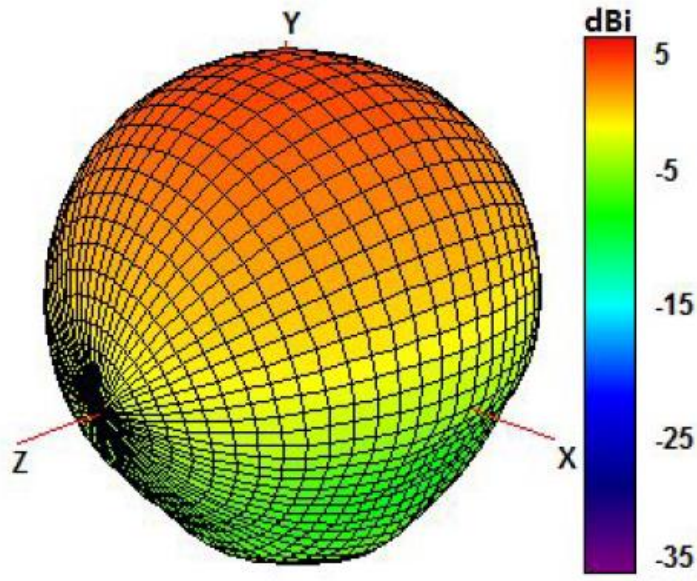
3. Antenna Parameters



* Measured at 2.7 V



Radiation pattern reference



1575 MHz Radiation pattern