

2J6926B (Alpha Micro Part No. AMC2J6926B)

Iridium screw mount antenna

Features

- **Iridium**
 - 1616 – 1627MHz
- **Iridium certified**
- Ground plane independent
- Screw mount
- Low profile
- High gain
- Anti-rotation mechanism
- Dimensions: 80 x 74 x 25.6mm
- Certificates: IP67, IP69
- Customizable cable and connector



1. Antenna and Electrical Specifications

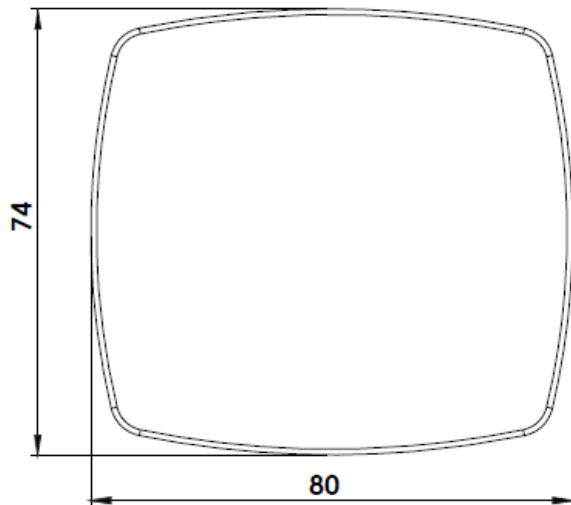
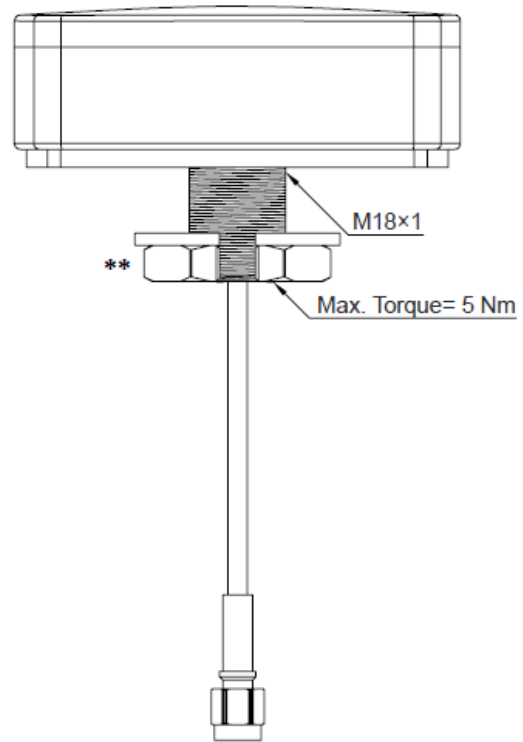
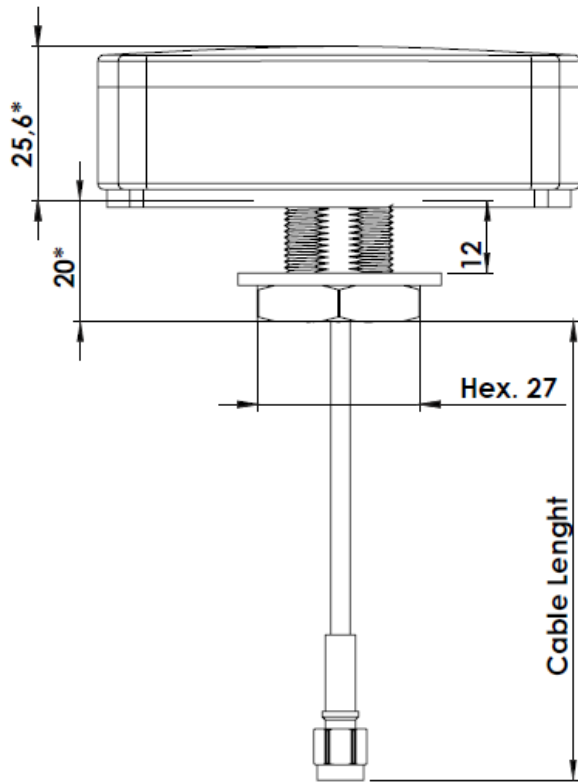
Parameters	Iridium Antenna
Standards	Iridium
Band (MHz)	1621
Frequency (MHz)	1616 - 1627
Return Loss (dB)	~-12.5
VSWR	~1.6:1
Efficiency (%)	~76.6
Peak Gain (dBic)	~4.5
Average Gain (dB)	~-1.2
Polarization	RHCP
Radiation Pattern	Hemispherical
Connector Type	SMA male standard (other connectors available)
Cable Length	3 meters standard (other lengths available)
Cable Type	LMR195 standard (other cables available)

Measurement Conditions:

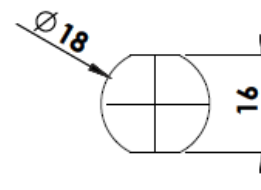
- Mounted on 70 x 70mm ground plane
- 20cm LMR195 cable
- Measured in certified CTIA 3D anechoic chamber

2. Mechanical and Environmental Specifications

Mounting Type	Screw mount
Dimensions (mm)	80 x 74 x 25.6
Radome Type	ABS UV stable
Radome Color	Black or white
Max. Tighten Torque (Nm)	5
Operating Temperature (°C)	-40 to +85
Storage Temperature (°C)	-40 to +85
Substance Compliance	RoHS
Certificates	Iridium Certified, IP67, IP69



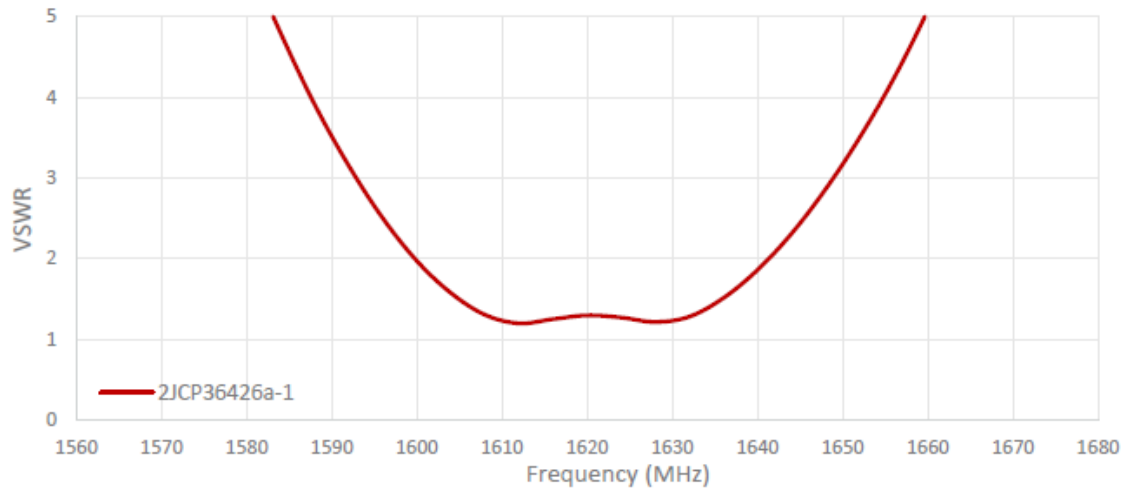
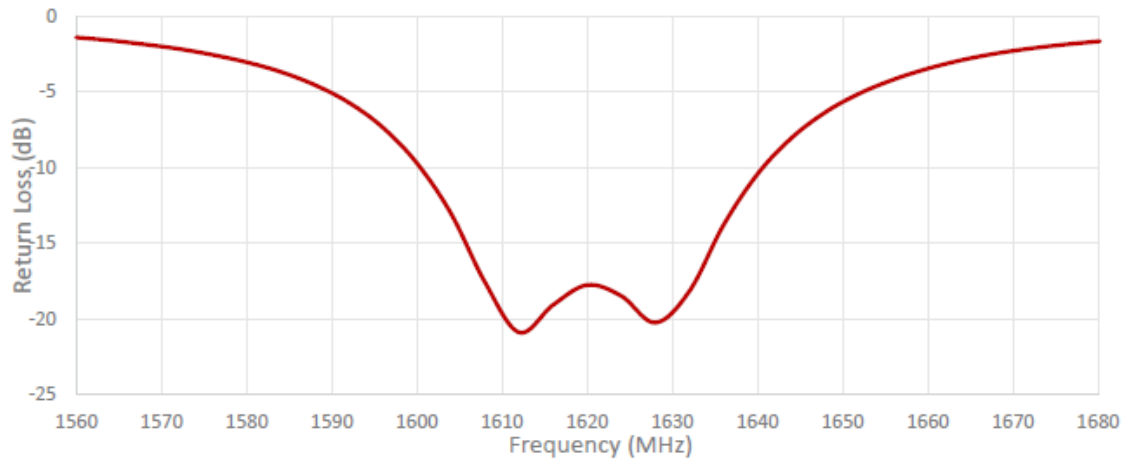
Mounting hole

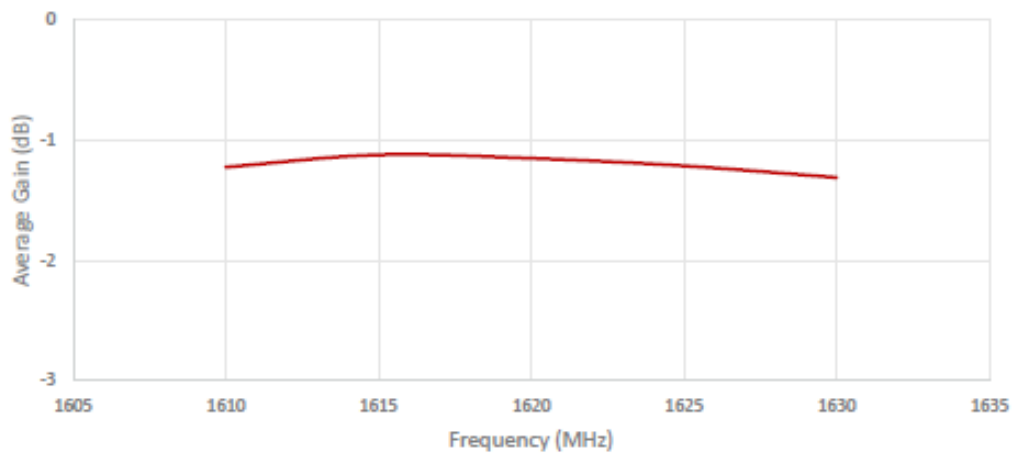
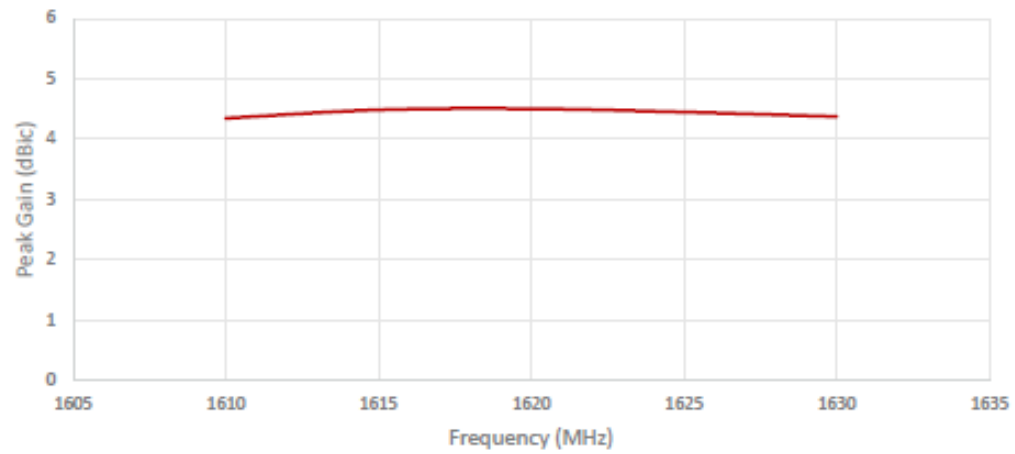
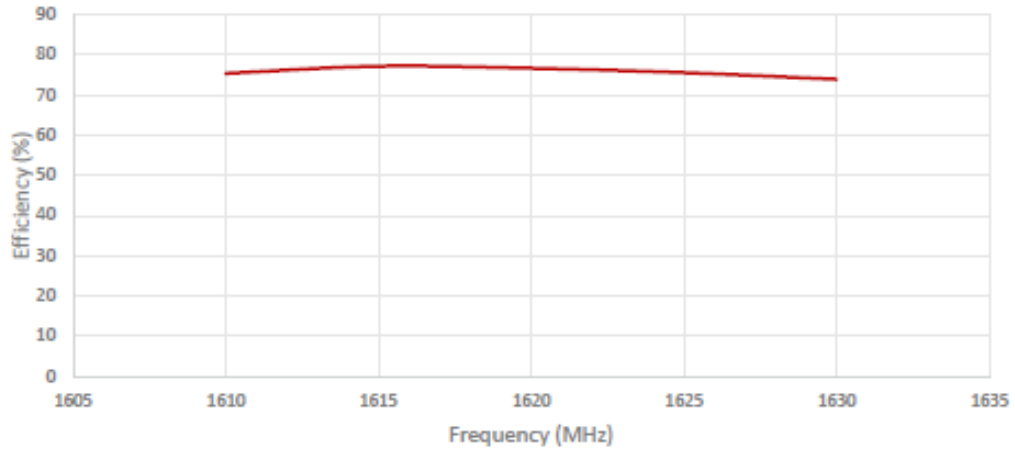


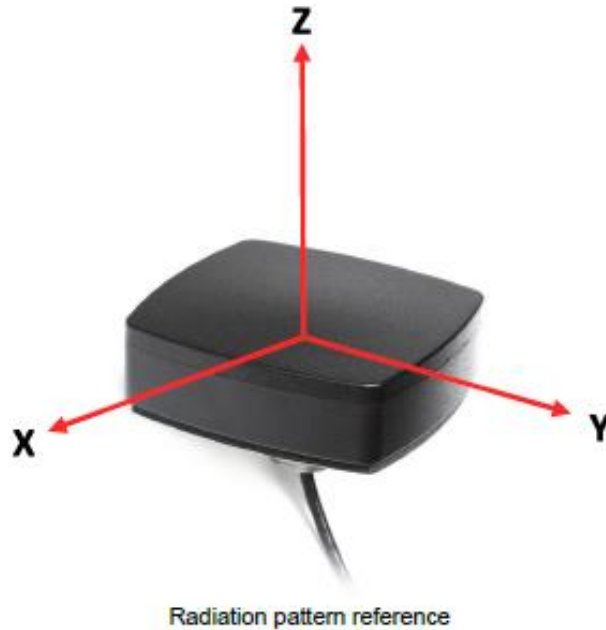
Max. mounting thickness 12mm
Note: Dimensions are in millimeters
*Dimensions are after mounting
**Max. Torque= 5 Nm

3. Antenna Parameters

Cable 1: IRIDIUM







Cable 1: IRIDIUM

