

2J7401MGF

(Alpha Micro Part No. AMC2J7401MGF)

GPS/Galileo/QZSS/GLONASS magnetic mount antenna

Features

- GPS/GLONASS/QZSS/Galileo
 - 1575 - 1606MHz
- Pre-filter
- Ground plane independent
- Magnetic mount
- Certificates – IP67, IP69K
- Dimensions – Ø 54 x 14.7mm
- Customizable cable length and connector



Certifications:



Alpha Micro USA: Tel: +1 561 744 9986 | email: usasales@alphamicro.net
www.alphamicro.net



1. Antenna and Electrical Specifications

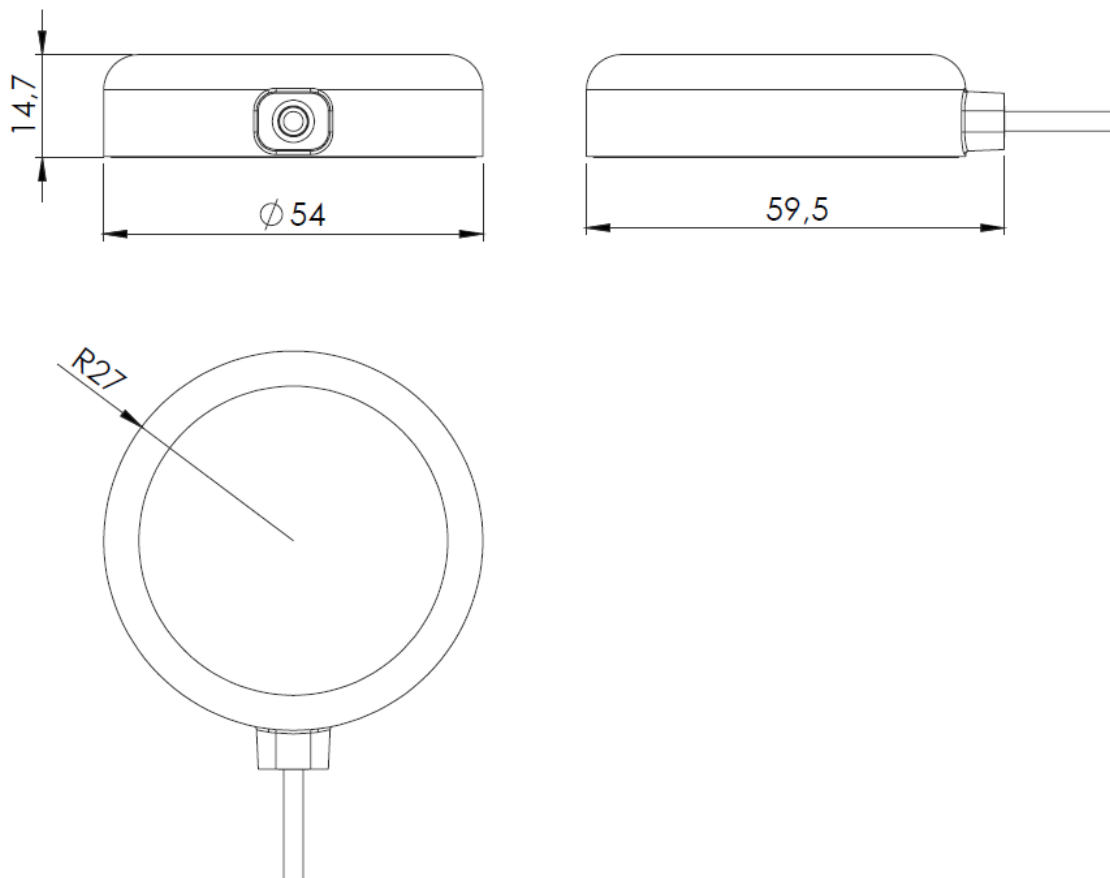
| Passive Parameters | GNSS antenna | |
|--------------------|------------------|-------------|
| Standards | GPS/QZSS/Galileo | GLONASS |
| Band (MHz) | 1575 | 1602 |
| Frequency (MHz) | 1575.42 | 1598 - 1606 |
| Return Loss (dB) | ~-21.8 | <=-15.7 |
| VSWR | <=1.1:1 | <=1.4:1 |
| Efficiency (%) | ~65 | ~68 |
| Peak gain (dBiC) | ~3.6 | ~3.9 |
| Average Gain (dB) | ~1.8 | ~-1.6 |
| Impedance (Ohms) | 50 | |
| Radiation Pattern | Hemispherical | |

1. Antenna and Electrical Specifications

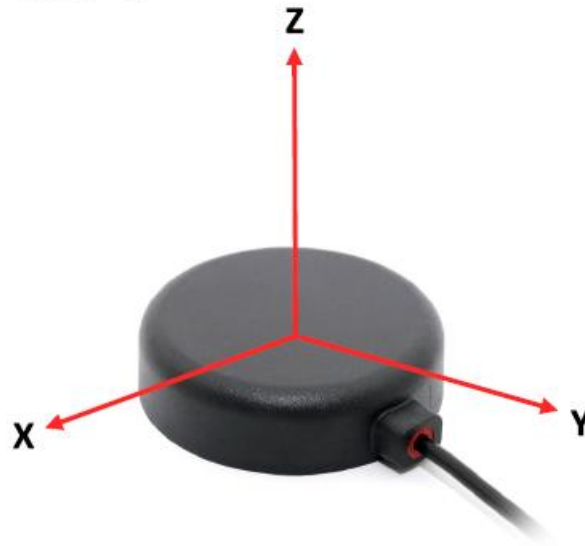
| Active Parameters | GNSS antenna | |
|------------------------|--|-------------|
| Standards | GPS/QZSS/Galileo | GLONASS |
| Band (MHz) | 1575 | 1602 |
| Frequency (MHz) | 1575.42 | 1598 - 1606 |
| Impedance (Ohms) | 50 | |
| VSWR | <1.2:1 | |
| Polarization | RHCP | |
| SAW Filter | Pre filter | |
| Radiation Pattern | Hemispherical | |
| Voltage (V) | 2.7 – 5.5 | |
| Active Gain (dB) | 26 @ 3V, 28 @ 5V | |
| Current (mA) | 15 - 25 | |
| Power Consumption (mW) | 138 max | |
| Connector Type | SMA male standard (other connectors available) | |
| Cable Length | 3 meters standard (other lengths available) | |
| Cable Type | LMR100 standard (other cables available) | |

2. Mechanical and Environmental Specifications

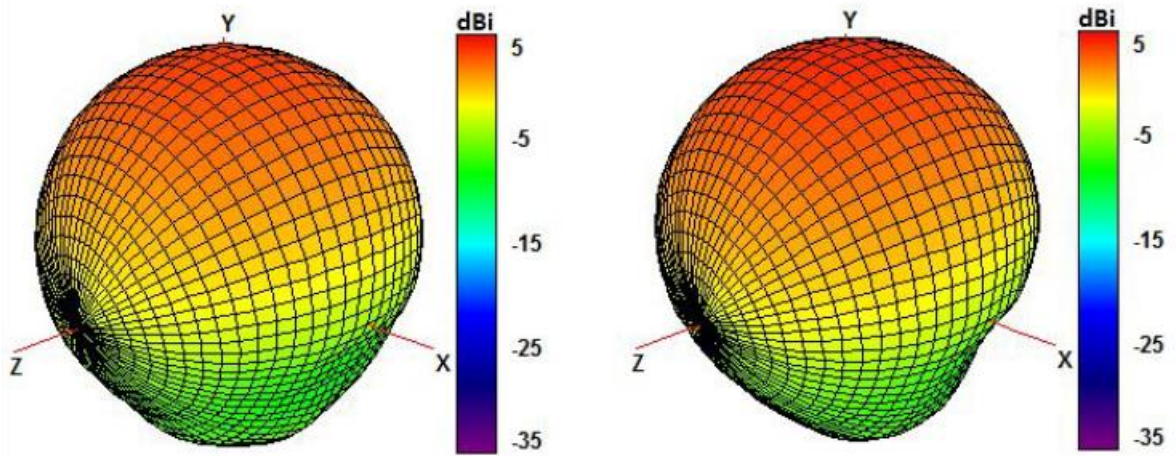
| | |
|-----------------------------------|----------------|
| Mounting Type | Magnetic mount |
| Dimensions (mm) | Ø 54 x 14.7 |
| Radome Type | PC + ASA |
| Radome Color | Black |
| Operating Temperature (°C) | -40 to +85 |
| Storage Temperature (°C) | -40 to +85 |
| Certificates | IP67, IP69K |
| Substance Compliance | RoHS |



3. Antenna Parameters



Radiation pattern reference



1575 MHz and 1602 MHz Radiation pattern