

2J7401BGF

(Alpha Micro Part No. AMC2J7401BGF)

GPS/Galileo/QZSS/GLONASS screw mount antenna

Features

- GPS/GLONASS/QZSS/Galileo
 - 1575 - 1606MHz
- Pre-filter
- Ground plane independent
- Screw mount
- Certificates – IP67, IP69K
- Dimensions – Ø 60 x 15.3mm
- Customizable cable length and connector



Certifications:



Alpha Micro USA: Tel: +1 561 744 9986 | email: usasales@alphamicro.net
www.alphamicro.net



1. Antenna and Electrical Specifications

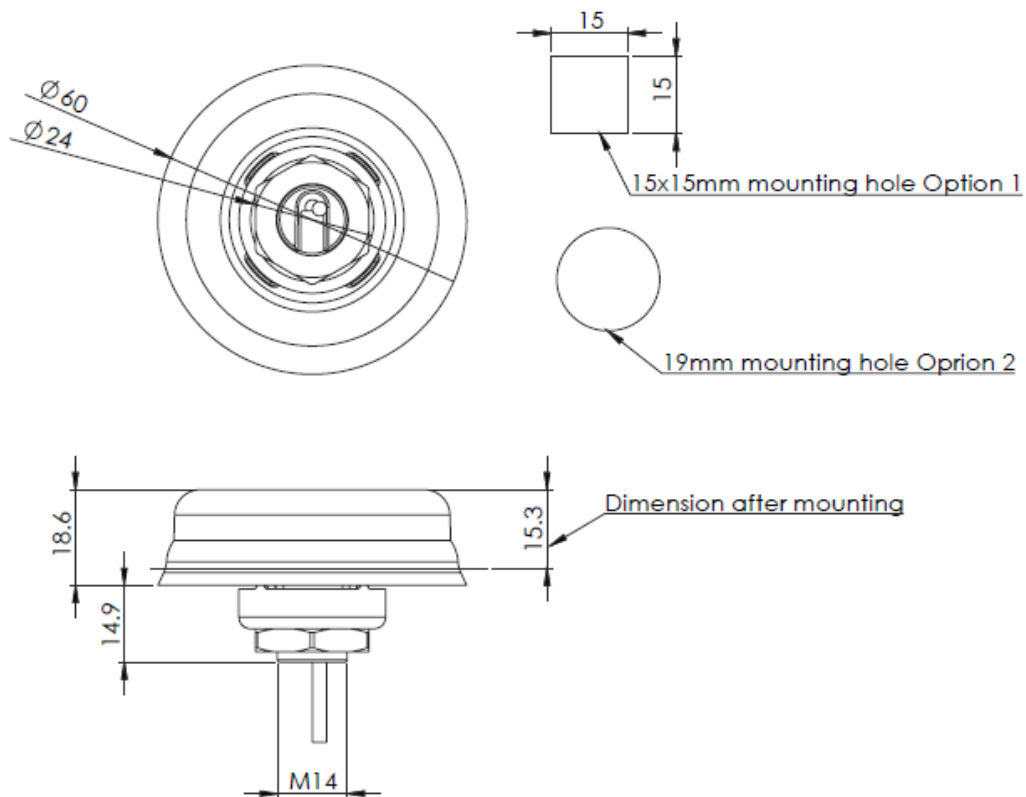
Passive Parameters	GNSS antenna	
Standards	GPS/QZSS/Galileo	GLONASS
Band (MHz)	1575	1602
Frequency (MHz)	1575.42	1598 - 1606
Return Loss (dB)	~-21.8	<=-15.7
VSWR	<=1.1:1	<=1.4:1
Efficiency (%)	~65	~68
Peak gain (dBiC)	~3.6	~3.9
Average Gain (dB)	~1.8	~-1.6
Impedance (Ohms)	50	
Radiation Pattern	Hemispherical	

1. Antenna and Electrical Specifications

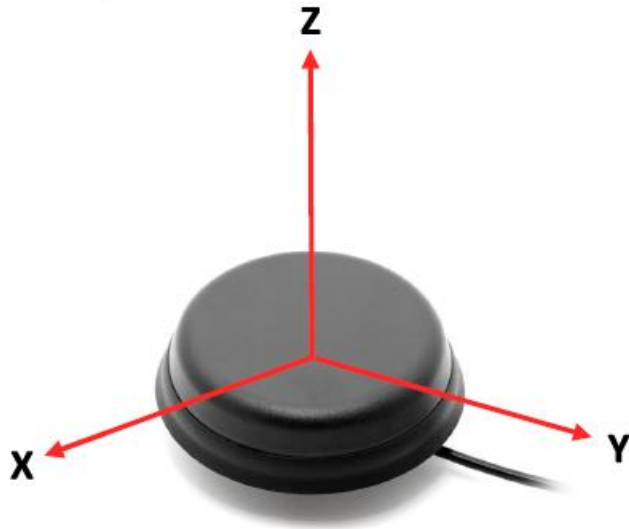
Active Parameters	GNSS antenna	
Standards	GPS/QZSS/Galileo	GLONASS
Band (MHz)	1575	1602
Frequency (MHz)	1575.42	1598 - 1606
Impedance (Ohms)	50	
VSWR	<1.2:1	
Polarization	RHCP	
SAW Filter	Pre filter	
Radiation Pattern	Hemispherical	
Voltage (V)	2.7 – 5.5	
Active Gain (dB)	26 @ 3V, 28 @ 5V	
Current (mA)	15 - 25	
Power Consumption (mW)	138 max	
Connector Type	SMA male standard (other connectors available)	
Cable Length	3 meters standard (other lengths available)	
Cable Type	LMR100 standard (other cables available)	

2. Mechanical and Environmental Specifications

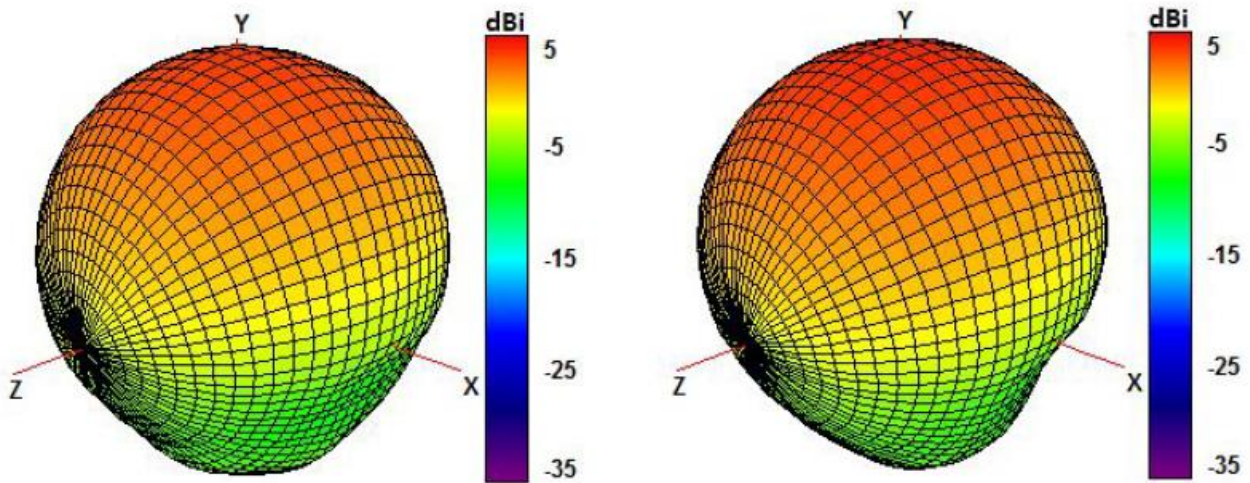
Mounting Type	Screw mount
Dimensions (mm)	Ø 60 x 15.3
Radome Type	PC + ASA
Radome Color	Black
Antenna Base	Zamak
Operating Temperature (°C)	-40 to +85
Storage Temperature (°C)	-40 to +85
Certificates	IP67, IP69K
Substance Compliance	RoHS



3. Antenna Parameters



Radiation pattern reference



1575 MHz and 1602 MHz Radiation pattern